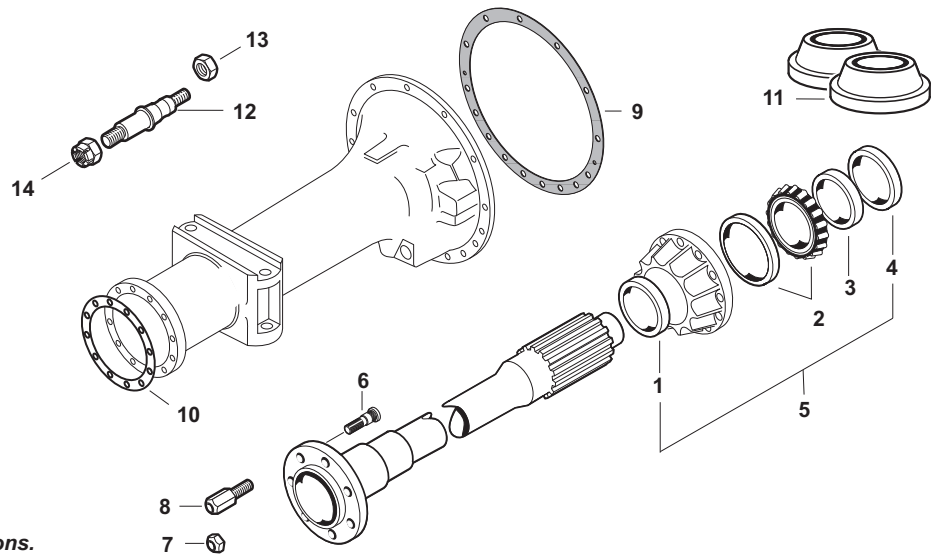


Page No.**1** — **Rear Axle
and Related Components****2-3** — **Rear Differential
and Related Components****4** — **Rear Rims
and Related Components****Rear Differential,
Rear Axle, Rims
and Related
Components**

F8

Sparex Replacement Spare Parts - Ferguson

Rear Axle and Related Components



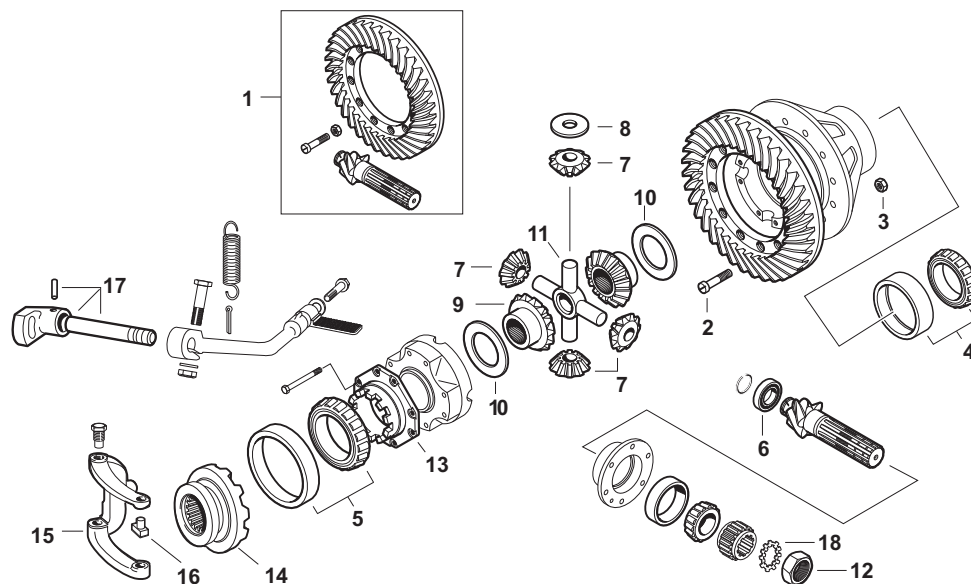
**Note: Fits TO30 if Rear Axle has been converted to TO35 Axle. Check Dimensions.*

	SPAREX No.	DESCRIPTION	EQUIVALENT	TRACTOR MODEL
1	S.41416	Outer Axle Seal (2 3/8" X 3 1/2" X 5/8")	195557M1	TE20, TEA20, TEF20, TO20, TO30
1	S.05946	Outer Axle Seal (2 3/4" X 3 5/8" X 19/32")	195677M1	TO30*, TO35, F40
2	S.18516	Axle Bearing Cup: 4T-3720, Cone: 4T-3780	195162M1 831363M1	TE20, TEA20, TEF20, TO20, TO30
2	S.05945	Axle Bearing Cup: 4T-453X, Cone: 4T-462A	195675M1 195676M1	TO30*, TO35, F40
3	S.41407	Shrink on Collar (2" X 2 15/16" X 11/16")	181257M1	TE20, TEA20, TEF20, TO20, TO30
3	S.05695	Shrink on Collar (3" X 2 1/4" X 11/16")	180596M1	TO30*, TO35, F40
4	S.41417	Inner Axle Seal (2" X 2 7/8" X 1/2")	195555M1	TE20, TEA20, TEF20, TO20, TO30
4	S.05947	Inner Axle Seal (2 1/8" X 2 7/8" X 1/2")	195678M2	TO30*, TO35, F40
5	S.42078	Kit - Seals & Collar (Contains 1xS.41416, 1xS.41407, 1xS.41417)		TE20, TEA20, TEF20, TO20, TO30
5	S.05948	Kit - Seals & Collar (Contains 1xS.05695, 1xS.05945, 1xS.059467, 1xS.05947)		TO30*, TO35, F40
6	S.01751	Rear Wheel Stud (9/16" UNF)	181260M1 185400M1	TE20, TEA20, TEF20, TO20, TO30
7	S.01752	Rear Wheel Nut (9/16" UNF)	180004M1	TE20, TEA20, TEF20, TO20, TO30, TO35, FE35, F40
8	S.40241	Dual Wheel Adaptor (9/16" UNF Female x 9/16" UNF Male)	818017M1	TE20, TEA20, TEF20, TO20, TO30
9	S.40922	Gasket (15 1/4") Trumpet Housing	183254M1	TE20, TEA20, TO20, TO35, (FE35 SN77629>), F40
10	S.42622	Gasket	181232M1	TE20, TEA20, TEF20, TO20, TO30
11	S.61512	Sure Seals - Pack of 2		TO20
12	S.01700	Lower Link Shaft	181229M1 181229M2/M5	TO20, (TEA20 w/ 85mm, SN 325001>), T030, TO35, FE35, F40
13	S.04961	Nut - Internal (5/8" Lock UNF)	376450X1	TO20, (TEA20 w/ 85mm, SN 325001>), T030, TO35, FE35, F40
14	S.08933	Nut - External (5/8" Slotted UNF)	353927X1	TO20, (TEA20 w/ 85mm, SN 325001>), T030, TO35, FE35, F40

These parts are Sparex parts and are not manufactured by the Original Equipment Manufacturer. Original Manufacturers names, part numbers and descriptions are quoted for reference purposes only and are not intended to indicate that our replacement parts are made by the Original Equipment Manufacturer.

Sparex Replacement Spare Parts - Ferguson

Rear Differential and Related Components

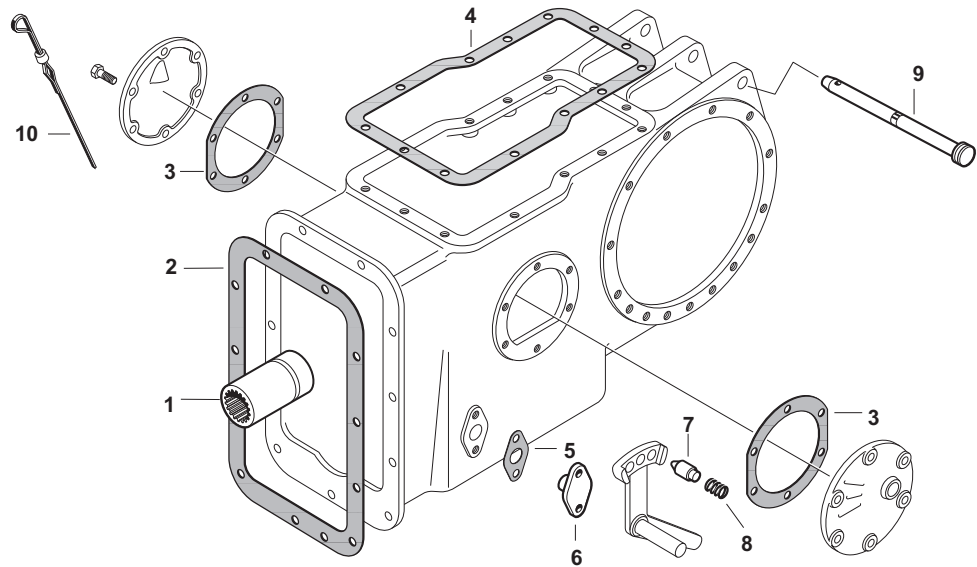


SPAREX No.	DESCRIPTION	EQUIVALENT	TRACTOR MODEL	
1	S.40897	Ring Gear & Pinion (6 x 37, 9.35" Pinion)	1885317M91	TO35, FE35
2	S.40901	Bolt	825776M1	(TO30, FE35, TEA20, TEF20, TED20 SN 325001), F40
3	S.40900	Nut	891947M1	(TO30, FE35, TEA20, TEF20, TED20 SN 325001), F40
4	S.40903	Bearing & Cup (Brg CBK239, Cup CBK339)	1850909M91	(FE35 w/ Differential Lock)
4	S.18502	Bearing & Cup (Brg 3984, Cup 3920)	195159M1 195160M1	TE20, TEA20, TEF20, TO20, TO30, TO35, (FE35 less Differential Lock), F40
5	S.18502	Bearing & Cup (Brg 3984, Cup 3920)	195159M1 195160M1	TE20, TEA20, TEF20, TO20, TO30, TO35, FE35, F40
6	S.40905	Bearing	191250M1	(TO35 SN 169467>)
7	S.40909	Gear	181275M1	TO35, FE35, F40
8	S.42019	Thrust Washer	181277M1 514958M1	TO35, FE35, F40
9	S.40911	Gear (16 Bevel, 19 Spline)	181249M3	(TO30 LH), (TO35 LH/RH), (FE35 LH >SN 383988 less Differential Lock), (FE35 LH w/ Differential Lock), (F40 LH/RH)
9	S.40912	Gear (16 Bevel, 19 Spline)	184700M1	(FE35 RH >SN 383988 less Differential Lock), (FE35 RH w/ Differential Lock)
9	S.40913	Gear (17 Bevel, 39 Spline)	897006M1 897007M1	(FE35 LH/RH SN 383988> less Differential Lock)
10	S.42020	Thrust Washer	181247M1	TEA20, TEF20, FE35 (SN 83855>, w/ 85mm SN 325001>), TO30, F40
11	S.42022	Cross	181276M1 894302M1	TO35, FE35, F40
12	S.42024	Lock Nut	180456M1	TO35, FE35, F40
13	S.42025	Cap - Differential Lock	190963M1	(FE35 w/ Differential Lock)
14	S.42041	Coupler - Differential Lock	897036M1	(FE35 SN 383201>)
15	S.42043	Fork	190968M1	(FE35 w/ Differential Lock)
16	S.42045	Shoe	190980M1	(FE35 w/ Differential Lock)
17	S.42046	Cam Assembly	190960M91	(FE35 w/ Differential Lock)
18	S.42826	Washer	180455M1	TO35, FE35, F40

F8

Sparex Replacement Spare Parts - Ferguson

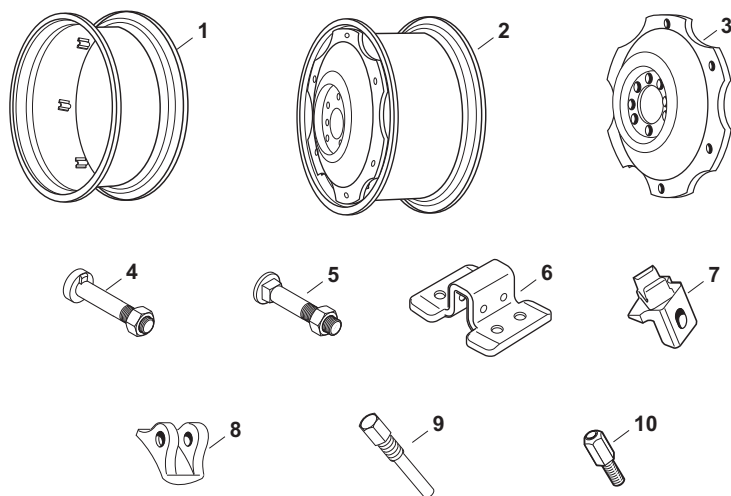
Rear Differential and Related Components



SPAREX No.	DESCRIPTION	EQUIVALENT	TRACTOR MODEL
1	S.40810 Coupler (5" x 2 1/8")	183088M1 880069M1	(TO35 SN 1698566>), FE35, F40
2	S.40814 Gasket	1861986M1	FE35
3	S.03352 Gasket	181217M1	TE20, TEA20, TEF20, TO20, TO30, TO35, FE35, F40
4	S.42217 Gasket	180881M1	TO20, TE20, TEA20, TEF20, TO30
4	S.03396 Gasket (0.45mm Thick)	181408M1	FE35, F40
4	S.40816 Gasket (0.15mm Thick)	886549M2	TO35
5	S.42069 Gasket	180904M1	TO35, FE35, F40
6	S.41553 Peg - Pump Support	180905M1	TO35, FE35, F40
7	S.41550 Plunger - PTO Index	180418M1	TO35, FE35, F40
8	S.41974 Spring	180417M1 191221M1	TO35, FE35, F40
9	S.00071 Hinged Pin	180901M1	TO35, FE35, F40
10	S.40823 Dip Stick	828810M91	FE35

Sparex Replacement Spare Parts - Ferguson

Rear Rims and Related Components



SPAREX No.	DESCRIPTION	EQUIVALENT	TRACTOR MODEL
1	S.61709 Rim (9 x 28", 6 Loop)		
1	S.61966 Rim (10 x 28", 6 Loop)		
1	S.61178 Rim (11 x 28", 6 Loop)		
1	S.61712 Rim (12 x 28", 6 Loop)		
2	S.61968 Rim Assembly (10 x 28") Includes: S.61133		
3	S.61133 Disc (28" - 6 Loops) (24 3/8" Dia), 8 Lugs - 6" Dia. Bolt Pattern, 4 5/16" Center Hole	193701M1	
4	S.04352 Rim to Disc Bolt & Nut Pipped Head (5/8")		
5	S.65113 Rim to Disc Bolt & Nut Carriage Head Bolt (5/8")		
6	S.41607 Weld-on Lug		
7	S.41324 Bridle - Clamp	1755057M2	Power Adjusted Rims - Most Models
8	S.41383 Stop	1755060M1	Power Adjusted Rims - Most Models
9	S.41384 Screw - Stop	1751403M1	Power Adjusted Rims - Most Models
10	S.40241 Dual Wheel Adaptor	818017M1	

***NOTE: We will NOT be responsible for damage to Rims delivered via UPS or FedEx. Rims are not Prepaid unless 6 or more rear Rims are purchased - regardless the size of order.**